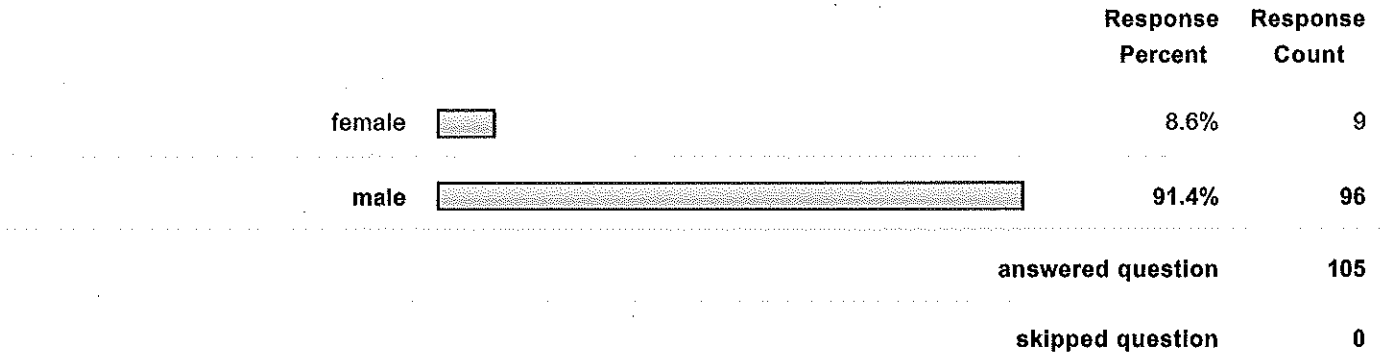
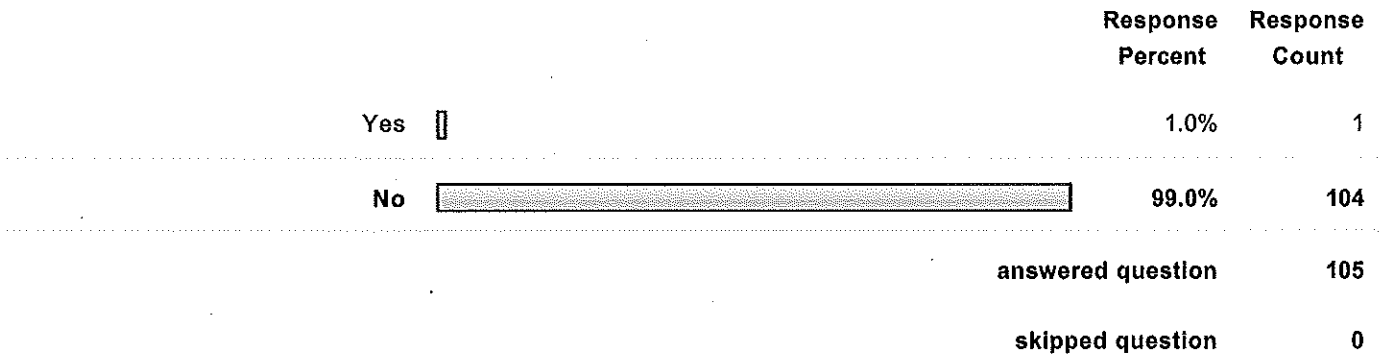


1. What is your gender?



2. Is your ethnicity Hispanic/Latino?



3. What is your race?

		Response Percent	Response Count
African American (black)		0.0%	0
Asian American		0.0%	0
European American (white)		97.1%	101
American Indian		1.0%	1
Bi-racial/Multi-racial		1.9%	2
answered question			104
skipped question			1

4. How many years have you been a Tech Ed teacher?

		Response Percent	Response Count
two or less		4.8%	5
three to five		8.7%	9
five to ten		25.0%	26
ten to twenty		34.6%	36
over twenty one		26.9%	28
answered question			104
skipped question			1

5. How many staff, in addition to yourself, teach in your technology education department?

	Response Percent	Response Count
none	13.3%	14
one	23.8%	25
two	11.4%	12
three	14.3%	15
four to six	32.4%	34
seven to ten	2.9%	3
more than ten	2.9%	3
answered question		105
skipped question		0

6. How do you describe the school where you teach?

	Response Percent	Response Count
rural	19.0%	20
small town	35.2%	37
large town	6.7%	7
city suburban	27.6%	29
city urban	14.3%	15
answered question		105
skipped question		0

7. What courses do you teach? Check all that apply

		Response Percent	Response Count
Home Maintenance/Car Care		27.2%	28
Transportation		24.3%	25
Automotive		20.4%	21
Small Engines		34.0%	35
Communications		27.2%	28
Photography		18.4%	19
CAD		42.7%	44
Graphics		29.1%	30
Electronics		19.4%	20
Residential Wiring		14.6%	15
Construction		35.9%	37
Wood Technics		41.7%	43
Construction		30.1%	31
Manufacturing		38.8%	40
Manufacturing Metals		27.2%	28
Pre-engineering (non PLTW)		23.3%	24
Project Lead the Way		37.9%	39
IED – Introduction to Engineering and Design		25.2%	26
POE – Principles of Engineering		16.5%	17
DE – Digital Electronics		7.8%	8
EDD – Engineering Design and Development		5.8%	6

CIM – Computer Integrated
Manufacturing



7.8%

8

Other (please specify)

27

answered question

103

skipped question

2

8. Rate yourself on your knowledge of and success with gender equity?

**Response
Percent Response
Count**

Novice



9.0%

6

Advanced Beginner



17.9%

12

Competent



47.8%

32

Proficient



16.4%

11

Expert



9.0%

6

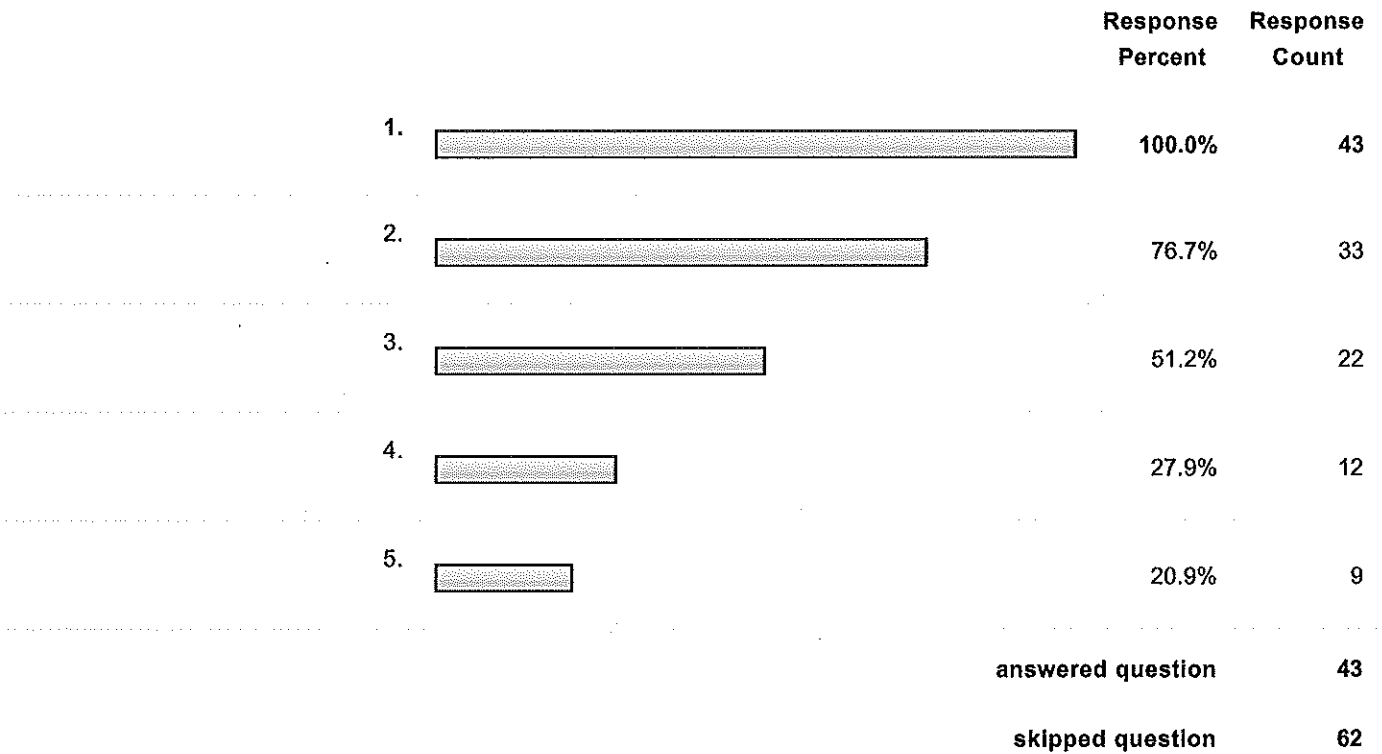
answered question

67

skipped question

38

9. What strategies, actions or tips do/have you used in your classroom to address gender equity? What were the results?



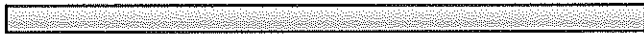




10. What could we do to ASSIST YOU to achieve greater gender equity in your classroom?



11. What type of gender equity materials or tools would be useful for you?



What strategies, actions or tips do/have you used in your classroom to address gender equity? What were the results?

		Response Percent	Response Count
1.		100.0%	43
2.		76.7%	33
3.		51.2%	22
4.		27.9%	12
5.		20.9%	9
		answered question	43
		skipped question	62

Page 2, Q2. What strategies, actions or tips do/have you used in your classroom to address gender equity? What were the results?

1.

- | | | |
|----|--|-----------------------|
| 1 | Partner girls together if they choose to, good results | Apr 5, 2012 6:08 PM |
| 2 | advertising | Apr 2, 2012 12:54 PM |
| 3 | All 6th graders required to be in TE | Apr 2, 2012 12:40 PM |
| 4 | Changing course titles - some positive results | Apr 2, 2012 10:47 AM |
| 5 | I don't really have any strategies, it helps being a female teacher and I also coach girls sports which allows me to get to know girls better to get them to sign up for tech ed courses. | Apr 2, 2012 5:08 AM |
| 6 | enforce no bullying policy- all students feel safe | Mar 29, 2012 12:55 PM |
| 7 | break through the intimidation | Mar 29, 2012 8:13 AM |
| 8 | Make sure that you have 2 or 4 young women in the class. Even numbers work best. | Mar 29, 2012 6:54 AM |
| 9 | Promotional materials that include pictures of females in them. | Mar 28, 2012 6:56 PM |
| 10 | Get as many boys and girls to take the PLTW classes | Mar 28, 2012 11:32 AM |
| 11 | 7th grade class is required, so see all kids | Mar 28, 2012 10:28 AM |
| 12 | Gender neutral bulletin boards | Mar 28, 2012 9:15 AM |
| 13 | Help to arrange the general schedule of the high school. | Mar 28, 2012 9:13 AM |
| 14 | I allow female students to work together in teams if they prefer. By doing so, they feel more secure and are able to work through their process and they usually complete more of the work more accurately than mixed or all male teams. | Mar 28, 2012 8:19 AM |
| 15 | All students take our Gateway course in 8th grade. | Mar 28, 2012 7:41 AM |
| 16 | Appearance of the room being orderly and neat | Mar 28, 2012 7:31 AM |
| 17 | start a skillsusa chapter | Mar 28, 2012 6:28 AM |
| 18 | clean rooms | Mar 28, 2012 6:18 AM |
| 19 | New class, results of class 50% females in class, but didn't change in future enrollment | Mar 28, 2012 6:07 AM |
| 20 | Equal treatment and consideration | Mar 28, 2012 5:50 AM |
| 21 | Gender-friendly activities | Mar 27, 2012 8:15 PM |
| 22 | My language and vocabulary in the classroom and around the school is geared towards all students regardless of their experiences. | Mar 27, 2012 7:27 PM |

Page 2, Q2. What strategies, actions or tips do/have you used in your classroom to address gender equity? What were the results?

23	n/a	Mar 27, 2012 7:10 PM
24	Projects / Alternate Projects to attract the interest of different genders	Mar 27, 2012 2:07 PM
25	Modified instruction to include real world situations	Mar 27, 2012 1:54 PM
26	Broaden the list of projects to include things girls are interested in.	Mar 27, 2012 1:49 PM
27	work with students to reach their potential	Mar 27, 2012 1:49 PM
28	Make everyone welcome regardless of gender	Mar 27, 2012 1:28 PM
29	Parent Meetings	Mar 27, 2012 1:27 PM
30	Projects that have a meaning, real-world	Mar 27, 2012 1:16 PM
31	Teach equally	Mar 27, 2012 1:13 PM
32	Teach to everyone	Mar 27, 2012 1:05 PM
33	It seems that when there is an interest in your subject by one or more girls, others will join in. The problem is that unless they see others in your class they tend to shy away.	Mar 27, 2012 1:05 PM
34	Women engineering speakers	Mar 27, 2012 12:57 PM
35	projects for girls	Mar 27, 2012 12:55 PM
36	Ask girls who have taken class to talk to other girls	Mar 27, 2012 12:53 PM
37	Get involved in activities that girl's are involved in	Mar 27, 2012 12:53 PM
38	Clean Enviroment	Mar 27, 2012 12:52 PM
39	I advertise as much as I can in my exploratory MS classes	Mar 27, 2012 12:51 PM
40	Planning out projects	Mar 27, 2012 12:51 PM
41	required middle school classes really helped!!	Mar 27, 2012 12:47 PM
42	Eliminate gender stereotypes in middle school courses. This works well	Mar 27, 2012 12:44 PM
43	started an all girls tech ed course this year for Freshman Girls	Mar 27, 2012 12:43 PM

2.

1	Seat girls together if they choose to, good results	Apr 5, 2012 6:08 PM
2	tech ed nights	Apr 2, 2012 12:54 PM
3	Repore with students in 6th grade courses	Apr 2, 2012 12:40 PM
4	Speak with counselors and explain what we offer - moderate results	Apr 2, 2012 10:47 AM

Page 2, Q2. What strategies, actions or tips do/have you used in your classroom to address gender equity? What were the results?

6	call up students equally - all students participate	Mar 29, 2012 12:55 PM
7	bi-gender projects/ options	Mar 29, 2012 8:13 AM
9	Breaking the stereotype of certain Tech Ed labs being Dirty/Dingy places.	Mar 28, 2012 6:56 PM
10	GE Volunteers to explain their job, education needed, skills needed, etc.	Mar 28, 2012 11:32 AM
11	8th grade class is elective - yet can't get past the steriotype	Mar 28, 2012 10:28 AM
12	Gender neutral teaching materials	Mar 28, 2012 9:15 AM
13	Use signs and posters to encourage female enrollment.	Mar 28, 2012 9:13 AM
14	I actively recruit female students during 8th grade scheduling night and we participate in an electives display before scheduling for the following year last year. The number of students was up for this year, and the number of females in Consumer Auto was slightly higher.	Mar 28, 2012 8:19 AM
15	More engineering courses - PLTW.	Mar 28, 2012 7:41 AM
16	Chaning course titles to be more female friendly	Mar 28, 2012 7:31 AM
17	we have a school of 80 students, we have over 20 girls in our tech ed program	Mar 28, 2012 6:28 AM
18	put females in leadership positions	Mar 28, 2012 6:18 AM
22	My courses are open to all age groups with no pre-reqs; it is easier to try one semester for those unfamiliar with my courses.	Mar 27, 2012 7:27 PM
24	Guest speakers within a nontraditional field who are female	Mar 27, 2012 2:07 PM
25	Keep the room clutter free - and have posters encouraging equity	Mar 27, 2012 1:54 PM
26	Put girls in leadership roles.	Mar 27, 2012 1:49 PM
27	have inclusionary practices	Mar 27, 2012 1:49 PM
28	Get guidance dept to do a better job of selling the class	Mar 27, 2012 1:28 PM
29	Discussion with Principal	Mar 27, 2012 1:27 PM
30	Girl-friendly topics	Mar 27, 2012 1:16 PM
31	Allow some project choice	Mar 27, 2012 1:13 PM
33	If you teach a class that attracts higher achieving students females will attend. They don't want to be with low achievers or low motivated students.	Mar 27, 2012 1:05 PM
34	Former women student speakers	Mar 27, 2012 12:57 PM
37	Show interest in extra curricular activities	Mar 27, 2012 12:53 PM

Page 2, Q2. What strategies, actions or tips do/have you used in your classroom to address gender equity? What were the results?

38	Career Awareness	Mar 27, 2012 12:52 PM
39	Freshman orientation presentation	Mar 27, 2012 12:51 PM
40	Surveys	Mar 27, 2012 12:51 PM
41	careful introduction of material in gender neutral way	Mar 27, 2012 12:47 PM
43	Use of Female Guest speakers.	Mar 27, 2012 12:43 PM

3.

1	Try to find projects they are comfortable doing, good results	Apr 5, 2012 6:08 PM
3	Other building involvement: coaching, etc	Apr 2, 2012 12:40 PM
4	adjust course content and activities	Apr 2, 2012 10:47 AM
6	monitor self when doing this- improved	Mar 29, 2012 12:55 PM
10	Attend university programs related to engineering	Mar 28, 2012 11:32 AM
11	I don't scare kids away but have high expectations. I get good male numbers but bad female.	Mar 28, 2012 10:28 AM
12	Encourage females into non-traditional fields	Mar 28, 2012 9:15 AM
13	Personally recruit females.	Mar 28, 2012 9:13 AM
14	I have worked on keeping the shop, particularly the sink area neat and clean because that is the place that the girls are the most disgusted by when the boys leave it filthy.	Mar 28, 2012 8:19 AM
15	Hasn't changed the stereotype of the "shop".	Mar 28, 2012 7:41 AM
16	Adjusting focus of projects from item to how it impacts society	Mar 28, 2012 7:31 AM
18	don't try to change technology to try to fit females in, change teaching practices and broaden curriculum to attract more interests - male and female	Mar 28, 2012 6:18 AM
22	Several classes are a mix of "clean environment" and "shop" activities and projects.	Mar 27, 2012 7:27 PM
25	Treat all students with respect, and expect the same from them	Mar 27, 2012 1:54 PM
26	Equal participation and membership in male/ female teams.	Mar 27, 2012 1:49 PM
28	Sell the class myself	Mar 27, 2012 1:28 PM
29	Meeting with Guidance Office	Mar 27, 2012 1:27 PM
30	Girl-friendly projects	Mar 27, 2012 1:16 PM

Page 2, Q2. What strategies, actions or tips do/have you used in your classroom to address gender equity? What were the results?

- | | | |
|----|---|-----------------------|
| 34 | Field trips geared towards women in engineering | Mar 27, 2012 12:57 PM |
| 37 | Give students choices on projects- make some gender specific | Mar 27, 2012 12:53 PM |
| 38 | Required for all 8th graders | Mar 27, 2012 12:52 PM |
| 43 | Gender Equity Web sites for engineering ie.. Female engineers | Mar 27, 2012 12:43 PM |

4.

- | | | |
|----|---|-----------------------|
| 1 | Reach them at an early age. Good results. | Apr 5, 2012 6:08 PM |
| 3 | Broad curricular choices/projects/endeavors that interest all types of students | Apr 2, 2012 12:40 PM |
| 6 | make good examples of all students | Mar 29, 2012 12:55 PM |
| 10 | Attend the Career Fair | Mar 28, 2012 11:32 AM |
| 13 | Focus on non-traditional careers. | Mar 28, 2012 9:13 AM |
| 22 | Some courses allow students to chose a specialization. ie: Manufacturing course could have people working solely on assembly with tools while others are working on sales and marketing out of the lab. | Mar 27, 2012 7:27 PM |
| 26 | More autonomy for all students. | Mar 27, 2012 1:49 PM |
| 28 | Make it a requirement in middle school | Mar 27, 2012 1:28 PM |
| 29 | Speaking to 8th Graders | Mar 27, 2012 1:27 PM |
| 30 | Team/Group activities | Mar 27, 2012 1:16 PM |
| 34 | Cooperation with the biomedical engineering classes | Mar 27, 2012 12:57 PM |
| 38 | Women as guest speakers that work in Technical Careers | Mar 27, 2012 12:52 PM |

5.

- | | | |
|----|---|-----------------------|
| 4 | We can not "advertise" to our student body - I believe this would help | Apr 2, 2012 10:47 AM |
| 6 | teach students how to interact with each other and address adults- elevator speech | Mar 29, 2012 12:55 PM |
| 10 | PLTW - engineering career research and investigation | Mar 28, 2012 11:32 AM |
| 13 | Encourage female SkillsUSA membership- most effective! | Mar 28, 2012 9:13 AM |
| 22 | Course descriptions and promotion of classes should include language like: "class can be taken by beginners to experts" projects should be interesting to both genders...dorm furniture in a woodworking class is one example, etc. | Mar 27, 2012 7:27 PM |
| 26 | Teach specific skills that both boys and girls might not yet have. | Mar 27, 2012 1:49 PM |

Page 2, Q2. What strategies, actions or tips do/have you used in your classroom to address gender equity? What were the results?

- | | | |
|----|---|----------------------|
| 28 | mandatory high school at least once from 9-12 | Mar 27, 2012 1:28 PM |
| 29 | Staff Meetings | Mar 27, 2012 1:27 PM |
| 30 | Constantly encourage the girls | Mar 27, 2012 1:16 PM |

What could we do to ASSIST YOU to achieve greater gender equity in your classroom?

Response
Count

33

answered question

33

skipped question

72

Page 2, Q3. What could we do to ASSIST YOU to achieve greater gender equity in your classroom?

1	Work on changing high school requirements, too much focus on 4yrs yrs of foreign lang combined with music leaves little room for vocational exploration. Require a tech class/manufacturing class since manufacturing a primary job area in Wisconsin.	Apr 5, 2012 6:08 PM
2	unknown	Apr 2, 2012 12:40 PM
3	when all of my students feel safe- it's not about gender, it's about all students- then my numbers of girls increases.	Mar 29, 2012 12:55 PM
4	grad courses in online format during winter months	Mar 29, 2012 8:13 AM
5	Give more information on what is working at districts with less gender equity issues.	Mar 28, 2012 6:56 PM
6	get rid of stereotypes from students, adminstration and community. All my students work out of a computer lab and a wood lab to solve the problem solving activities so they should not get the impression of vocational ed but it is still out there.	Mar 28, 2012 10:28 AM
7	Ideas...	Mar 28, 2012 9:15 AM
8	Provide fliers/posters encouraging female enrollment and possibly speakers on the subject. Provide a course at the Northwoods Academy at Nicolet Technical College in early August.	Mar 28, 2012 9:13 AM
9	I would like to start having some middle school/8th grade STEM career events at the high school to reach out to girls who might be interested in Engineering, wood working, automotive, construction If we had more middle school applied technology programs that exposed all students to a variety of applied technology fields it would increase awareness/interest	Mar 28, 2012 8:19 AM
10	grade school counseling to breakdown the stereotypes of girl jobs, boy jobs!	Mar 28, 2012 7:41 AM
11	Hold workshops and trainings in conjunction with other events that are specific to gender equity	Mar 28, 2012 7:31 AM
12	stratigies to help with enrollment	Mar 28, 2012 6:07 AM
13	Suggestions on how to improve gender equity.	Mar 28, 2012 5:50 AM
14	ideas and projects for gender equity in the classroom	Mar 28, 2012 5:33 AM
15	N/A	Mar 27, 2012 7:27 PM
16	I have every 6th and 7th grade student in the school throughout the year	Mar 27, 2012 7:10 PM
17	Np	Mar 27, 2012 5:18 PM
18	Report out the results of the survey to include what others are doing to promote gender equity.	Mar 27, 2012 2:07 PM
19	Workshops by those who have been successful.	Mar 27, 2012 1:54 PM

Page 2, Q3. What could we do to ASSIST YOU to achieve greater gender equity in your classroom?

20	Investigate the usefulness of girl-only STEM classes, and report the results.	Mar 27, 2012 1:49 PM
21	raise the # of credits of CTE needed for graduation	Mar 27, 2012 1:49 PM
22	Reprogram most of our staff and counselors ;-)	Mar 27, 2012 1:31 PM
23	Mandatory in High School	Mar 27, 2012 1:28 PM
24	NA	Mar 27, 2012 1:16 PM
25	More connections to equity opportunities beyond the classroom, field trip stipends for busing	Mar 27, 2012 1:13 PM
26	Show the guidance personal that tech ed isn't just for at risk students.	Mar 27, 2012 1:05 PM
27	PD sessions on gender equality	Mar 27, 2012 12:57 PM
28	need to know more what girls want to have from class. culture change so that girls know that they can and are very able to do technology classes.	Mar 27, 2012 12:55 PM
29	Statewide required tech ed class at Junior High level	Mar 27, 2012 12:52 PM
30	All the information and statistics we can get will help.	Mar 27, 2012 12:51 PM
31	IDK	Mar 27, 2012 12:51 PM
32	Don't know	Mar 27, 2012 12:47 PM
33	more info please. info on Jobs and Careers for Female populations.	Mar 27, 2012 12:43 PM

What type of gender equity materials or tools would be useful for you?

**Response
Count**

28

answered question

28

skipped question

77

Page 2, Q4. What type of gender equity materials or tools would be useful for you?

1	Project/activities females like.	Apr 5, 2012 6:08 PM
2	girls projects	Apr 2, 2012 12:54 PM
3	Valid and interesting materials related to gender equity in careers directly associated with TE	Apr 2, 2012 12:40 PM
4	none	Mar 29, 2012 12:55 PM
5	sample strategies - general in nature	Mar 29, 2012 8:13 AM
6	Ideas on promotion of Tech Ed to females.	Mar 28, 2012 6:56 PM
7	Our middle school system has lots of problems with all the elective 8th graders have, therefore, we need to get rid of the elective for Art, FACE and Tech Ed. to allow for better student scheduling.	Mar 28, 2012 10:28 AM
8	Recruitment strategies	Mar 28, 2012 9:15 AM
9	Posters, fliers, guest speakers for an assembly.	Mar 28, 2012 9:13 AM
10	Information on what has worked in other schools Studies that have been done	Mar 28, 2012 8:19 AM
11	I feel that by the time they get to highschool, they have made their desisions and for most it is not Tech Ed.	Mar 28, 2012 7:41 AM
12	A quick guide to gender equity. This guide would have 2 pages of research and multiple pages of things to try is short, easy to understand steps (less than 1 page and bullet points)	Mar 28, 2012 7:31 AM
13	posters of females in technical fields	Mar 28, 2012 6:18 AM
14	any	Mar 28, 2012 5:50 AM
15	N/A	Mar 27, 2012 7:27 PM
16	n/a	Mar 27, 2012 7:10 PM
17	???	Mar 27, 2012 5:18 PM
18	Classroom materials - lab activities	Mar 27, 2012 1:54 PM
19	Cutting edge tools and equipment	Mar 27, 2012 1:49 PM
20	NA	Mar 27, 2012 1:16 PM
21	STEM Camp info, field trip/speaker stipends	Mar 27, 2012 1:13 PM
22	Female engineers to give presentations	Mar 27, 2012 12:57 PM
23	unsure	Mar 27, 2012 12:55 PM
24	Women in technical fields information	Mar 27, 2012 12:52 PM

Page 2, Q4. What type of gender equity materials or tools would be useful for you?

25	Video's and websites	Mar 27, 2012 12:51 PM
26	Projects	Mar 27, 2012 12:51 PM
27	Don't know	Mar 27, 2012 12:47 PM
28	posters, web based info, guest speakers.	Mar 27, 2012 12:43 PM

12. Where have you gotten information or resources in the past on attracting girls to your tech ed classrooms?

**Response
Count**

38

answered question 38

skipped question 67

13. Would you like to receive information and are you willing to participate in the TEquity project? (A program aimed at attracting and retaining girls to STEM and Technology Education)

**Response
Percent Response
Count**

Yes receive information and participate  **35.5% 22**

Yes receive information, but not participate  **35.5% 22**

Yes participate, but don't receive information **0.0% 0**

No  **29.0% 18**

answered question 62

skipped question 43

Where have you gotten information or resources in the past on attracting girls to your tech ed classrooms?

Response
Count

38

answered question

38

skipped question

67

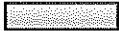

Page 2, Q5. Where have you gotten information or resources in the past on attracting girls to your tech ed classrooms?

1	WTEA conference	Apr 5, 2012 6:08 PM
2	online	Apr 2, 2012 12:54 PM
3	Graduate course @ UW-Oshkosh: "Women in Science" - which was more like "Women in STEM"	Apr 2, 2012 12:40 PM
4	Mostly from PLTW listserv	Apr 2, 2012 10:47 AM
5	n/a	Apr 2, 2012 5:08 AM
6	I do not find them useful. Good teachers get students interested in tech ed,	Mar 29, 2012 12:55 PM
7	personal experience	Mar 29, 2012 8:13 AM
8	Grad classes	Mar 28, 2012 6:56 PM
9	Project Lead The Way - Gateway To Technology, National Action Council for Minorities in Engineering, Inc., MATC, MSOE, Marquette	Mar 28, 2012 11:32 AM
10	Department Chair	Mar 28, 2012 10:28 AM
11	Online material	Mar 28, 2012 9:15 AM
12	Women in Tech Careers web site, but their materials are expensive.	Mar 28, 2012 9:13 AM
13	WTEA breakout meetings Society of Women Engineers Society of Automotive Engineers Girl Scouts	Mar 28, 2012 8:19 AM
14	WTEA, PLTW, and sources my Administrator has given me.	Mar 28, 2012 7:41 AM
15	Personal internet research, reading other peoples research	Mar 28, 2012 7:31 AM
16	myself	Mar 28, 2012 6:18 AM
17	internet and other faculty	Mar 28, 2012 6:09 AM
18	education professionals	Mar 28, 2012 6:07 AM
19	other teachers	Mar 28, 2012 5:50 AM
20	WTEA conference	Mar 28, 2012 5:33 AM
21	N/A	Mar 27, 2012 7:27 PM
22	na	Mar 27, 2012 7:10 PM
23	Tool Box Program	Mar 27, 2012 5:18 PM
24	Listening to others on what they have done.	Mar 27, 2012 2:07 PM
25	Tackle box, internet research	Mar 27, 2012 1:54 PM

Page 2, Q5. Where have you gotten information or resources in the past on attracting girls to your tech ed classrooms?

26	PLTW	Mar 27, 2012 1:49 PM
27	WTEA Conf.	Mar 27, 2012 1:49 PM
28	CESA Conferences NTC	Mar 27, 2012 1:27 PM
29	Never needed any...	Mar 27, 2012 1:16 PM
30	Self, internet, TEE listserv	Mar 27, 2012 1:13 PM
31	UW-Oshkosh	Mar 27, 2012 12:57 PM
32	have tried to offer an all girls class but was shot down by district.	Mar 27, 2012 12:55 PM
33	I feel like my classes are really even genders wise but I think it has a lot to do with my gender.)	Mar 27, 2012 12:53 PM
34	Women in the technical fields. Midstate Tech College	Mar 27, 2012 12:52 PM
35	Self taught	Mar 27, 2012 12:51 PM
36	work shops WTEA	Mar 27, 2012 12:51 PM
37	Internet Guidance office	Mar 27, 2012 12:47 PM
38	web	Mar 27, 2012 12:43 PM

14. Are you interested in becoming a regional leader for the TEEquity Project? If yes, please forward your name by email to Brent.Kindred@dpi.wi.gov

	Response Percent	Response Count
yes, 	17.2%	11
no 	82.8%	53
	answered question	64
	skipped question	41